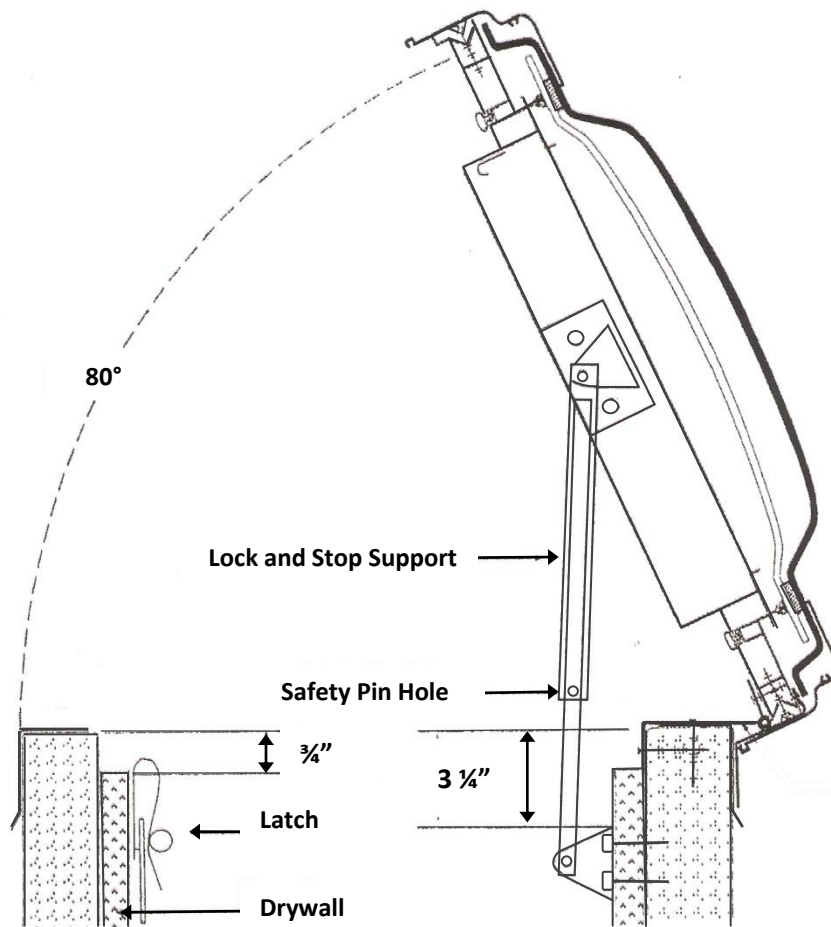




INSTALLATION INSTRUCTIONS HATCH SKYLIGHT:



- Step1:** Fasten hinges to curb with stainless screws provided.
Do not open hatch past 85°
- Step2:** Attach "Lock and Stop" supports onto hatch with nuts and bolts provided.
- Step3:** Open hatch 80° to 85°, extend "Lock and Stop" hatch support and mount to curb approximately 3 1/4" from top of curb.
- Step4:** Close hatch and fasten latch to hold unit firmly in place.
- Step5:** Verify that hatch stays open and a short lift will unlatch supports.
- Safety Pin** provided with Access Hatch must be attached to curb and used when hatch is in open position.

The Brighter Idea