

THE DAYLITER[®] AWNING

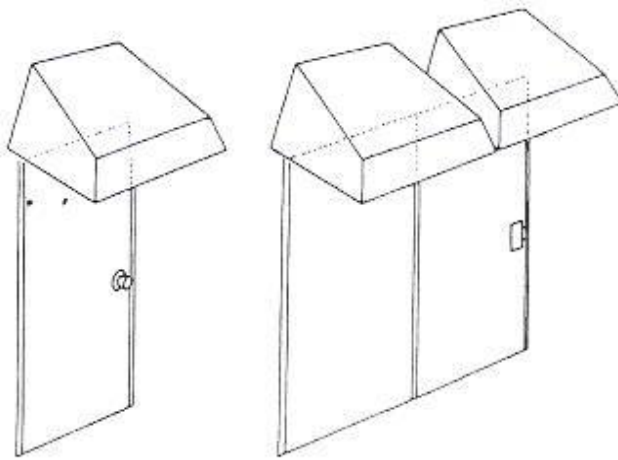


FEATURES:

Installation..... *one person/one hour*
Size..... *45" wide, 34" deep, 16" high*
Colours..... *clear or bronze*

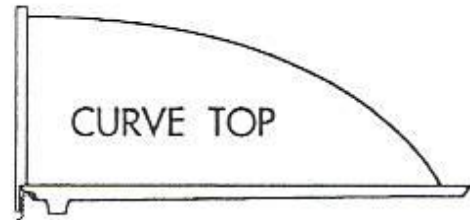
Gutters..... *molded on three sides*
Durable..... *tough exterior acrylic*
Cleaning..... *mild soap and water only*

APPLICATIONS:



Single

Double



INSTALLATION:

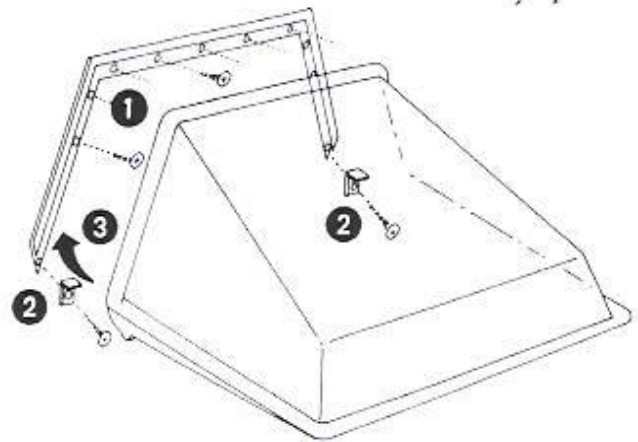
Step **1** **2** **3**

TOOLS:

Screwdriver

COMPONENTS:

The dayliter awning
Painted aluminum mounting frame
Stainless steel screws
Two angle brackets
(a plywood backing may be required on some buildings.)



For more information, visit our website at:

www.dayliter.com

5492 - 275th Street, Langley, BC, V4W 3X7

Toll Free Tel: 1-800-268-4068 ~ Toll Free Fax: 1-877-268-8019